

Way Protectors

Linear Rail Covers

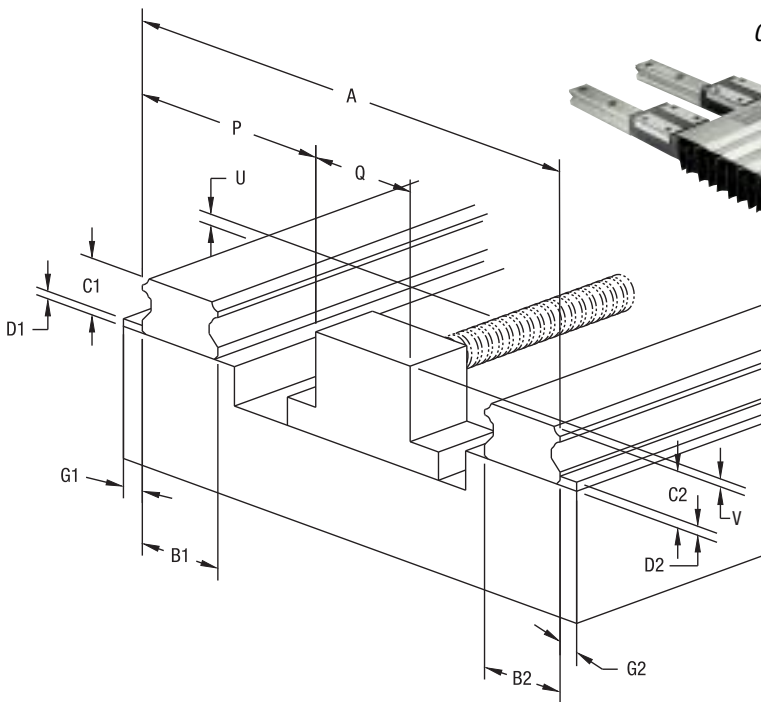
Gortite® Standard Linear Rail Covers are high-quality, durable, thermoplastic or elastomer-coated fabric covers designed to protect linear bearing rails from dust, dirt, chips, oils, coolants, sparks and other abrasives.

Available in standard sizes to fit all makes and models of all rail manufacturers. Standard Linear Rail Covers are equipped with stiffeners to ensure solid, lasting support at every fold. Customized sizes are also available for special equipment and new products. For heavy chip loads or weld splatter, a Gordillo option, with stainless steel plates covering each convolution, is also available.

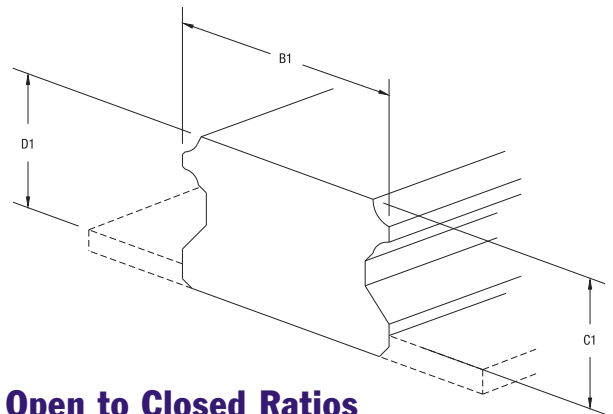
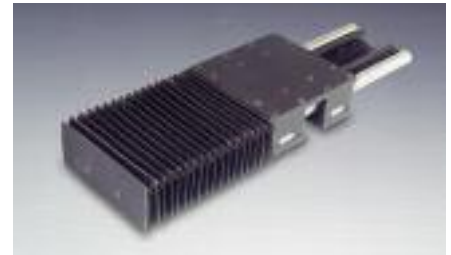
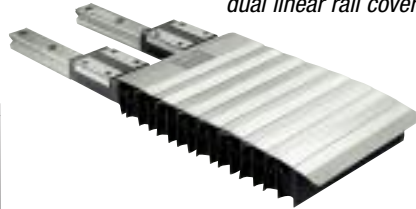
- Standard sizes for all makes of linear rails
- Materials for light, medium, and heavy duty applications
- Three types of construction available: Heat-Sealed, Sewn/Folded and Gordillo
- PVC stiffeners in every convolution
- Custom sizes available



Sewn/Folded construction
Linear Rail Cover



Gordillo construction for dual linear rail cover



Open to Closed Ratios



Heat-sealed Gortite® Way Protector bellows for linear rail applications

Convolution	7UND	Heat Seal 12UND	14VP	Gordillo Overhang (I)
0.5	6.5:1	4.5:1	4:1	*1.75
0.75	12:1	8:1	7:1	*2.75
1	16:1	11:1	10:1	*3.5
1.25	20:1	14:1	12:1	*4.25
1.5	25:1	17:1	15:1	5

* Each Fixed Protective Plate covers 2 convolutions.

** Materials Standard for Gordillo covers are manufactured of .014 Vinyl/Polyester and .032 PVC Stiffeners.

Materials suitable for high temperature, rotating shields and other special applications are available on request.

*** Dimension (S) varies from .38 to 1.25 as number of sections increases.

How to Order Way Protectors

Date: _____ For Quotation Only: _____ Address: _____
 Order Number: _____
 Company Name: _____ City: _____ State/Prov. _____
 Contact: _____ Country: _____ Zip/Postal Code: _____
 Quantity of covers needed: _____ Telephone: _____ Fax: _____
 E-Mail: _____

Please supply a sketch/drawing/CAD file (DWG or DXF file format) photo of your application

1. Application (* denotes a required field)

External Environment* Please indicate percentage(s) for the following:

- Abrasive particles (Dirt, dust, sand grit, etc.)
 Cutting Oils/Coolants/Lubricants (Type) _____
 Chemicals (Type) _____
 Aluminum Water/Moisture Hot Chip

Weld Splatter: Light Medium Heavy

Other (Please describe) _____

Temperature Range*: Ambient: _____ Minimum: _____ Maximum: _____

Maximum Travel Speed: _____

Acceleration (Please indicate units of measurement): _____

Movements/Day: _____ Axis: _____

- 2. Cover Type** Cross Rail Vertical Column Large Bedway
 Flat Way Linear Way Dovetail Way

Other _____
 (If measuring from existing cover, a drawing is required; DWG or DXF file preferred)

3. Cover Dimensions (Please specify in inches)

Extended Length: _____ Retracted Length: _____

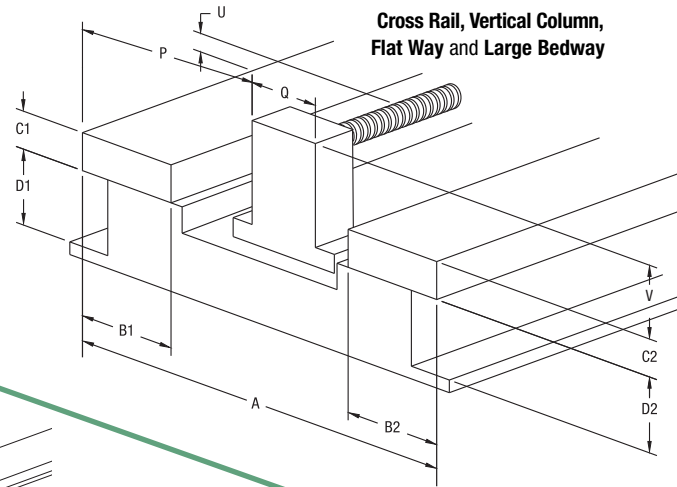
Travel Distance: _____

Maximum Height: _____ Maximum Width: _____

4. Way Dimensions (Please specify in inches)

For Cross Rail, Vertical Column, Flat Way or Large Bedway

- A _____ C2 _____ Q _____
 B1 _____ D1 _____ U _____
 B2 _____ D2 _____ V _____
 C1 _____ P _____



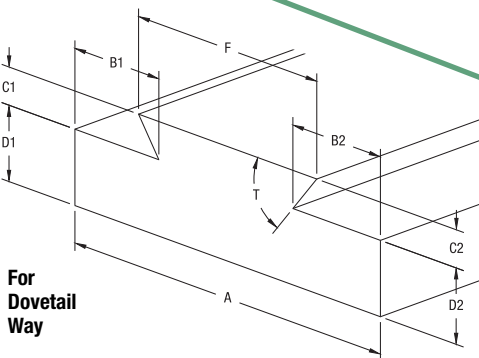
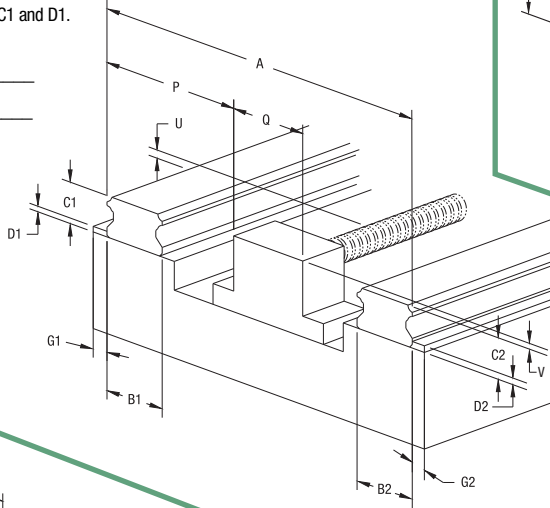
For Linear Way: Single Rail Dual Rail

(If Single Rail, indicate only dimensions B1, C1 and D1. See Single Rail Diagram on Page 12)

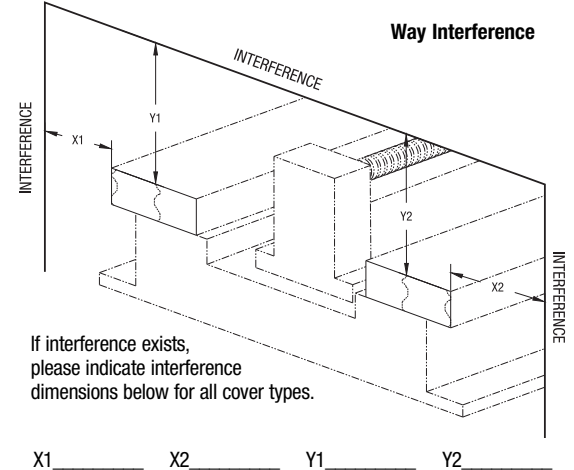
Rail Manufacturer: _____

Rail Model: _____

- A _____ G1 _____
 B1 _____ G2 _____
 B2 _____ P _____
 C1 _____ Q _____
 C2 _____ U _____
 D1 _____ V _____
 D2 _____



- A _____ D1 _____
 B1 _____ D2 _____
 B2 _____ F _____
 C1 _____ T _____
 C2 _____ (degrees)



- 5. Mounting Plates** Yes End 1 Standard Flange Closed Flange No
 End 2 Standard Flange Closed Flange

▼ Please fax or e-mail the completed form to the number/address shown.