



# Folded Bellows

## Gortite® Folded Bellows

are designed for applications where sealed, light-tight protection is required. Typical applications include:

- Cameras
- Copy Machines
- Enlargers
- Imaging Equipment

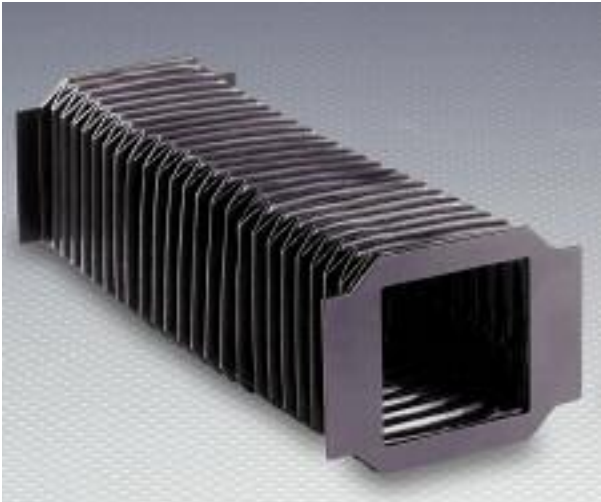
Our Folded Bellows are built with the features and flexibility you need:

- Folded-type construction, using elastomer coated fabrics
- Tear and cut resistant
- Provides a complete seal against light, air, and dirt
- Available in any size and shape, including offset and combination configurations, without tooling charges
- Gortite's® New Single-Layer Bellows provide a low-cost option

When designing or requesting a quote for a Gortite® Folded Bellows, three major parts must be defined:

- Application
- Cover dimensions
- Type of Cover

The two ends and the expandable bellows cover must each be dimensioned separately. See **How to Order Folded Bellows** on the next page.



# How to Order Folded Bellows

Date: \_\_\_\_\_ For Quotation Only: \_\_\_\_\_

Address: \_\_\_\_\_

Order Number: \_\_\_\_\_

\_\_\_\_\_

Company Name: \_\_\_\_\_

City: \_\_\_\_\_ State/Prov. \_\_\_\_\_

Contact: \_\_\_\_\_

Country: \_\_\_\_\_ Zip/Postal Code: \_\_\_\_\_

Quantity of covers needed: \_\_\_\_\_

Telephone: \_\_\_\_\_ Fax: \_\_\_\_\_

E-Mail: \_\_\_\_\_

**Please supply a sketch/drawing/CAD file (DWG or DXF file format)/ photo of your application**

- 1. Application**  Camera  Copy Machine  
 Enlarger  Imaging Equipment  
 Other (please specify) \_\_\_\_\_

- 2. Cover Shape**  Square/Rectangular  Offset  
 Tapered  Combination

**3. Cover Dimensions\* (Please specify in inches)**

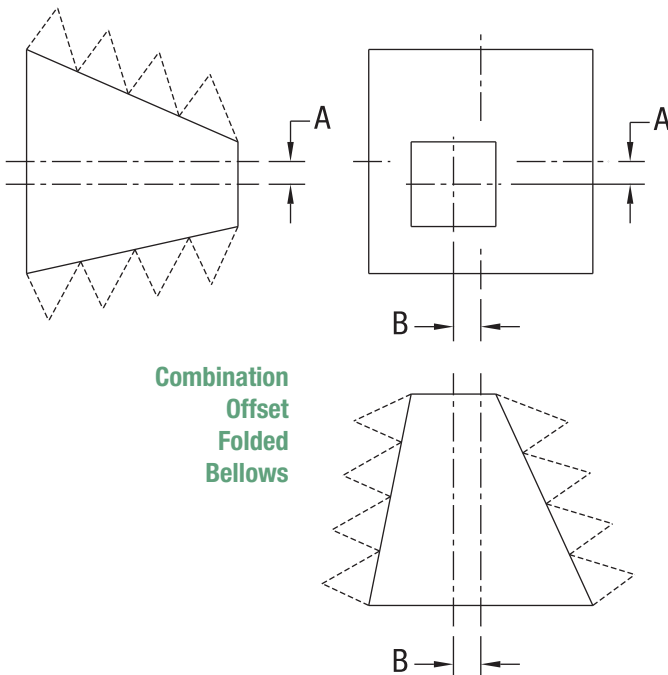
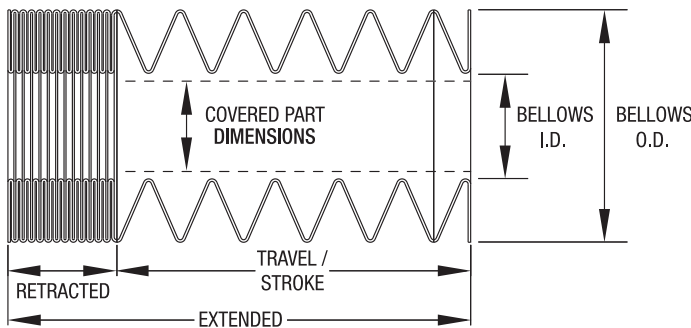
\*Not including Ends. See Item 4. End Dimensions.

**Extended Length\*** (without ends): \_\_\_\_\_

**Retracted Length\*** (without ends): \_\_\_\_\_

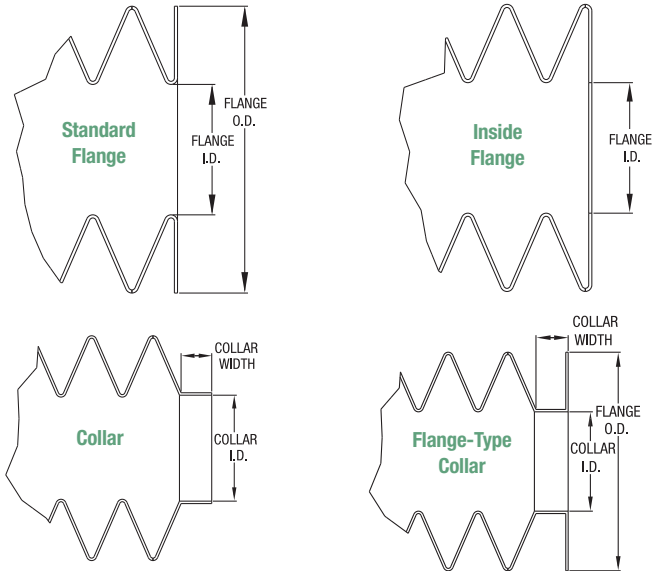
**Normal Installed Length:** \_\_\_\_\_

**Stroke/Travel Distance:** \_\_\_\_\_



**Combination  
Offset  
Folded  
Bellows**

**4. End Dimensions (Please specify in inches)**



**NOTE:**  
 I.D. = INSIDE DIMENSION  
 O.D. = OUTSIDE DIMENSION

**End 1:**

- Standard Flange Flange O.D.: \_\_\_\_\_ x \_\_\_\_\_ Flange I.D.: \_\_\_\_\_ x \_\_\_\_\_  
 Collar Collar I.D.: \_\_\_\_\_ x \_\_\_\_\_  
 Collar Width: \_\_\_\_\_  
 Inside Flange Flange I.D.: \_\_\_\_\_ x \_\_\_\_\_  
 Flange-Type Collar Flange O.D.: \_\_\_\_\_ x \_\_\_\_\_ Collar I.D.: \_\_\_\_\_ x \_\_\_\_\_  
 Collar Width: \_\_\_\_\_

**Mounting Plate**

- Yes If yes, please supply drawing (DWG or DXF preferred)  No

**End 2:**

- Standard Flange Flange O.D.: \_\_\_\_\_ x \_\_\_\_\_ Flange I.D.: \_\_\_\_\_ x \_\_\_\_\_  
 Collar Collar I.D.: \_\_\_\_\_ x \_\_\_\_\_  
 Collar Width: \_\_\_\_\_  
 Inside Flange Flange I.D.: \_\_\_\_\_ x \_\_\_\_\_  
 Flange-Type Collar Flange O.D.: \_\_\_\_\_ x \_\_\_\_\_ Collar I.D.: \_\_\_\_\_ x \_\_\_\_\_  
 Collar Width: \_\_\_\_\_

**Mounting Plate**

- Yes If yes, please supply drawing (DWG or DXF preferred)  No

Please fax or e-mail the completed form to the number/address shown.