

# Gortiflex® CT Stock Convoluted Tubing

## Protective covers and flexible connections available in 13 stock sizes

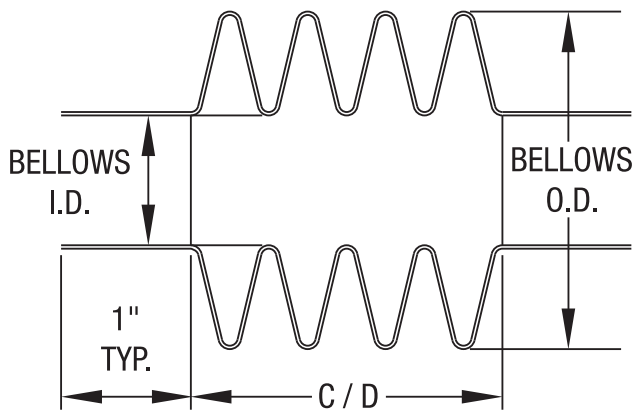


Gortiflex® bellows units can be used as covers for screws, rods, ball spline, or any application requiring protection against chips, dirt, grit, and other abrasive matter. Units can also be applied as flexible connections where vibration, movement, or misalignment are involved.

Gortiflex® bellows units are manufactured of Neoprene/nylon material, .050 – .060 gauge and are available in 13 stock sizes ranging from 1" I.D. to 10" I.D. for immediate delivery. Bellows will provide 24" open length and stocked units have 1" long collars on each end for mounting. Collars can be removed to provide flanges for mounting if required.

Gortiflex® bellows units are completely sealed. If covers are to be used in rod or ram applications, breathing method must be provided. For special materials, non-standard lengths or ends, and unusual applications, please use **How to Order Enclosed-Shaped Bellows** (Page 9).

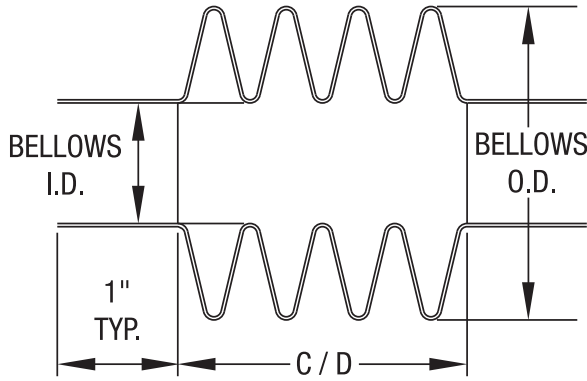
**C208 Clamps** are stocked in any size required. Clamp band width is 1/2".



C208 Clamp (1/2" I.D. Minimum)

Style Number	CT-1	CT-1.5	CT-2	CT-2.5	CT-3	CT-3.5	CT-4	CT-4.5	CT-5	CT-6	CT-7	CT-8	CT-10
Bellows Inside Diameter	1"	1½"	2"	2½"	3"	3½"	4"	4½"	5"	6"	7"	8"	10"
Bellows Outside Diameter	1¾"	2¾"	3"	3½"	4¼"	5"	5½"	6"	6¾"	8"	9"	10"	12"
Extended Length (C)	24"	24"	24"	24"	24"	24"	24"	24"	24"	24"	24"	24"	24"
Retracted Length (D)	5¼"	4½"	4"	4"	3¼"	3"	3"	3"	2½"	2¼"	2¼"	2¼"	2¼"
Material	Neoprene/Nylon .040 - .045 Gauge										Neoprene/Nylon .050 - .060 Gauge		
Operating Temperature	-45°F to 220°F												

# Gortiflex® Stock Convuluted Tubing

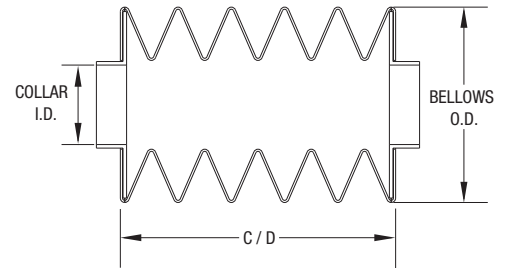


C208 Clamp (1/2" I.D. Minimum)

## Specifications

Style Number	CT-1	CT-1.5	CT-2	CT-2.5	CT-3	CT-3.5	CT-4	CT-4.5	CT-5	CT-6	CT-7	CT-8	CT-10
Inside Diameter	1"	1 1/2"	2"	2 1/2"	3"	3 1/2"	4"	4 1/2"	5"	6"	7"	8"	10"
Outside Diameter	1 3/4"	2 3/8"	3"	3 1/2"	4 1/4"	5"	5 1/2"	6"	6 3/4"	8"	9"	10"	12"
Extended Length C	24"	24"	24"	24"	24"	24"	24"	24"	24"	24"	24"	24"	24"
Retracted Length D	5 1/4"	4 1/2"	4"	4"	3 1/4"	3"	3"	3"	2 1/2"	2 1/4"	2 1/4"	2 1/4"	2 1/4"
Material	Neoprene/Nylon .050 - .060 Gauge												
Operating Temperature	-45°F to 220°F												

Style Number	I. D.	O. D.	C Ext. Length	D Retracted Length	Snap-In Collar Sizes Available (I.D.'s)
CTH-.75-12	3/4"	1 5/8"	12"	1 7/8"	1/4", 1/2", 3/4" & 1"
CTH-.75-24	3/4"	1 5/8"	24"	3 3/4"	1/4", 1/2", 3/4" & 1"
CTH-1.375-12	1 3/8"	2 1/2"	12"	1 3/8"	1/2", 3/4", 1", 1 1/4", 1 1/2" & 1 3/4"
CTH-1.375-24	1 3/8"	2 1/2"	24"	2 3/4"	1/2", 3/4", 1", 1 1/4", 1 1/2" & 1 3/4"
CTH-2-12	2"	3 1/4"	12"	1"	1", 1 1/4", 1 1/2", 1 3/4", 2" & 2 1/4"
CTH-2-24	2"	3 1/4"	24"	2"	1", 1 1/4", 1 1/2", 1 3/4", 2" & 2 1/4"



## How to Order Gortiflex® Stock Convuluted Tubing

Date: \_\_\_\_\_ For Quotation Only: \_\_\_\_\_ Address: \_\_\_\_\_

Order Number: \_\_\_\_\_

Company Name: \_\_\_\_\_ City: \_\_\_\_\_ State/Prov. \_\_\_\_\_

Contact: \_\_\_\_\_ Country: \_\_\_\_\_ Zip/Postal Code: \_\_\_\_\_

Quantity of covers needed: \_\_\_\_\_ Telephone: \_\_\_\_\_ Fax: \_\_\_\_\_

E-Mail: \_\_\_\_\_

### 1. Style Number\* (\* denotes a required field)

- Bellows For\*:**  New Design  Replace Existing Cover
- CT**  CT-1  CT-1.5  CT-2  CT-2.5  
 CT-3  CT-3.5  CT-4  CT-4.5  
 CT-5  CT-6  CT-7  CT-8  
 CT-10
- CTH**  CTH-.75-12  CTH-.75-24  CTH-1.375-12  
 CTH-1.375-24  CTH-2-12  CTH-2-24

### 2. Snap-In Collar Dimensions (CTH Style Only)

End #1 Inside Diameter (ID): \_\_\_\_\_ End #2 Inside Diameter (ID): \_\_\_\_\_

### 3. Clamps

- C208 Clamp (.5" ID Minimum)  
*Note: C208 clamps are stocked in any size required. Clamp band is .5" wide.*

▼ Please fax or e-mail the completed form to the number/address shown.