

# GORTITE® BELLOWS

for Articulated Buses and Light Rail Vehicles



**GORTITE®**

**A&A Manufacturing Co., Inc.**

2300 South Calhoun Road • New Berlin, WI 53151

262-786-1500 Fax: 262-786-3280

www.gortite.com E-mail: sales@gortite.com



A&A Manufacturing Co., Inc. has over 50 years experience in producing stitched, molded, and vulcanized bellows for transportation vehicles.

Our bellows can be manufactured from a variety of materials including pure elastomers, elastomer coated fabrics, urethane coated fabrics, and PVC coated fabrics. The proper material for each application will be selected, taking into account environmental conditions, flame retardancy, and smoke emission requirements.

A&A Manufacturing's list of customers for articulated bus bellows include New Flyer Industries, North American Bus (NABI), Volvo, Prevost, and MCI. Bellows for light rail vehicles and monorails have been supplied to Siemens Transportation and Bombardier. Numerous transit authorities and cities have replaced bellows on their articulated vehicles with A&A products.

**For complete articulation joint solutions, A&A Manufacturing Co., Inc. has partnered with ATG Autotechnik in designing for both high floor and low floor buses.**

Vulcanized bellows are inherently leak proof and provide a smooth, neat appearance without any stitched seams



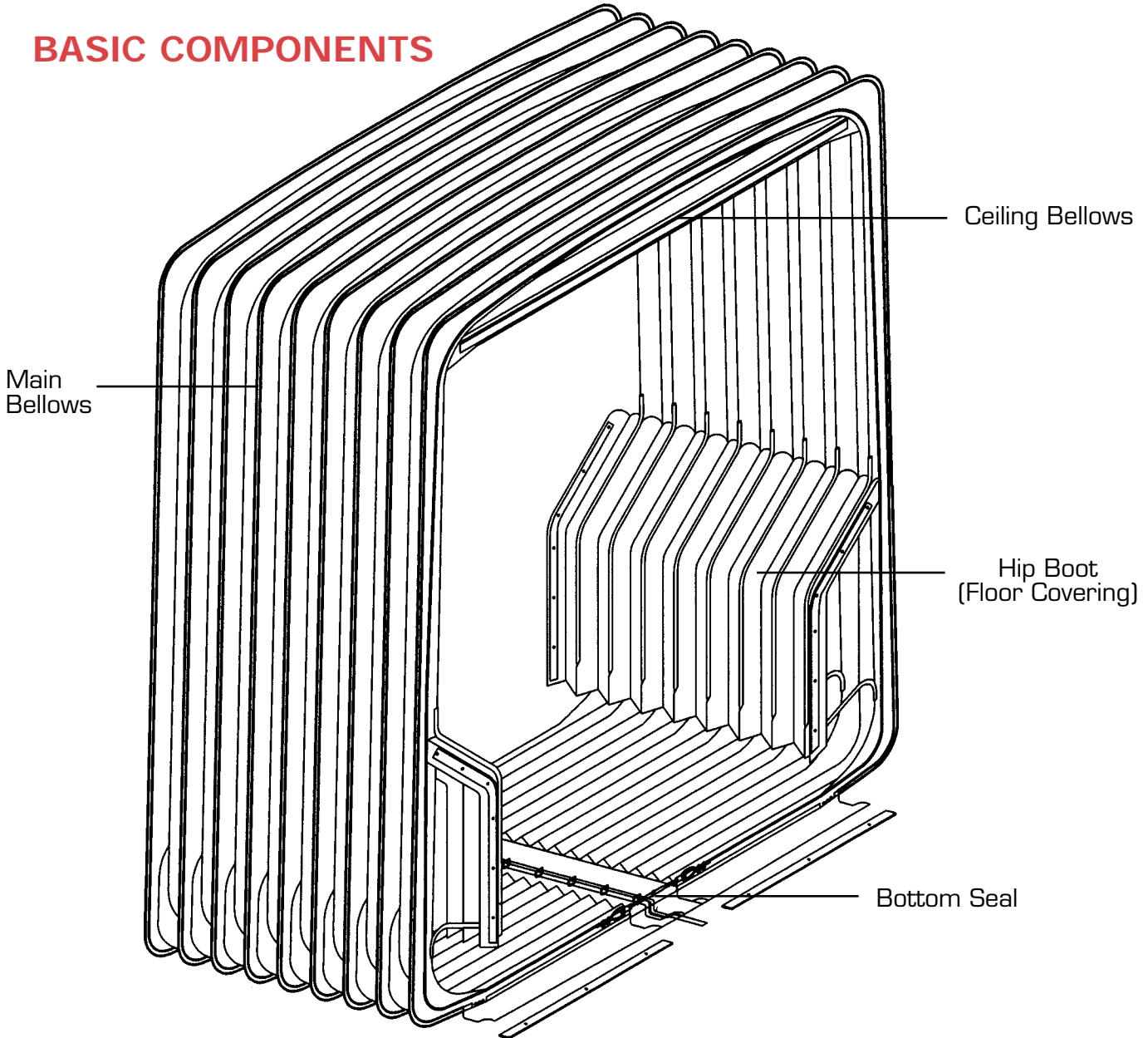
Standard straight hip boot, fixed or removable

Double support hip boot with bend for light rail vehicle

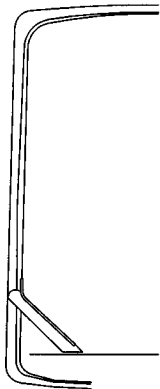


Removable lower fixed point of hip boot pictured above

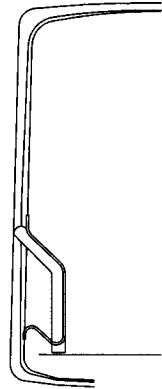
# BASIC COMPONENTS



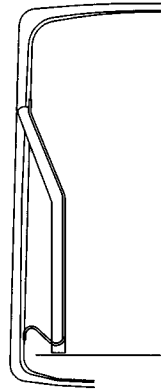
## STANDARD HIP BOOT (Floor Covering) DESIGNS



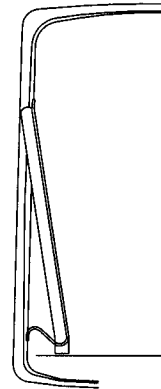
Single Support



Double Support Low Bend



Double Support High Bend



Double Support Straight High or Low

*(Consult factory for special designs)*

# GORTITE® BELLOWS

for other transportation vehicle applications



Air Ducting

Covers  
for  
Door  
Hinges



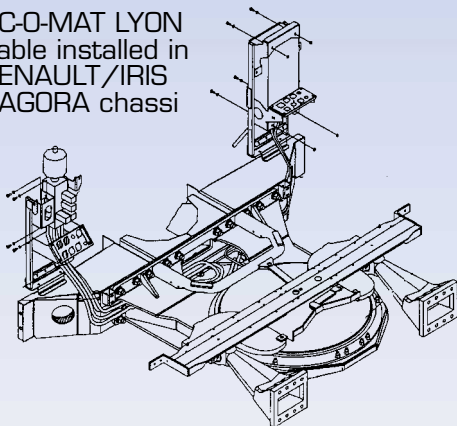
Cylinder Rod Covers



Steering Column  
Bellows

**A & A MANUFACTURING COMPANY  
and ATG AUTOTECHNIK, partners in providing  
complete articulation joint  
solutions**

ARTIC-O-MAT LYON  
turntable installed in  
a RENAULT/IRIS  
bus AGORA chassi



ARTIC-O-MAT LYON  
turntable as used by  
RENAULT/IRIS bus in  
France with over 400  
in service

ARTIC-O-MAT Limbo  
turntable for  
articulated buses



## ATG AUTOTECHNIK GmbH

Bültbek 7 • D 22962 Siek • Germany

Tel.: +49 (0) 4107 9124 Fax: +49 (0) 4107 9192

E-mail: [Browne@articulated-bus.com](mailto:Browne@articulated-bus.com)

Website: [www.articulated-bus.com](http://www.articulated-bus.com)



**A&A Manufacturing Co., Inc.**

2300 South Calhoun Road • New Berlin, WI 53151

262-786-1500 Fax: 262-786-3280

**GORTITE®** [www.gortite.com](http://www.gortite.com) E-mail: [sales@gortite.com](mailto:sales@gortite.com)

**BULLETIN NO. BB-100**

F&G 4/00  
Copyright A&A Mfg. Co., Inc. 4/00